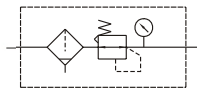


MAFR400 series

AIR UNITS (F.R.UNIT)



Symbol:



Specification:

Model	MAFR400		
Bore No.	8A	10A	15A
Port size	PT 1/4	PT 3/8	PT 1/2
Medium	Air		
Operating pressure range	0~9.9 kgf/cm ² (0~0.99 MPa)		
Test pressure	15 kgf/cm ² (1.5 MPa)		
Effective orifice	35 mm ²	60 mm ²	
Regulated pressure range	0.5~8.5 kgf/cm ² (0.05~0.85 MPa)		
Ambient temperature	-5~+60°C (No freezing)		
Filter element	Standard: 40 μm Option: 5 μm		
Attachment	Pressure gauge (PG-50), bracket		
Weight	1350 g		

Order example:

MAFR400 - 10A - □ - □ - BSP

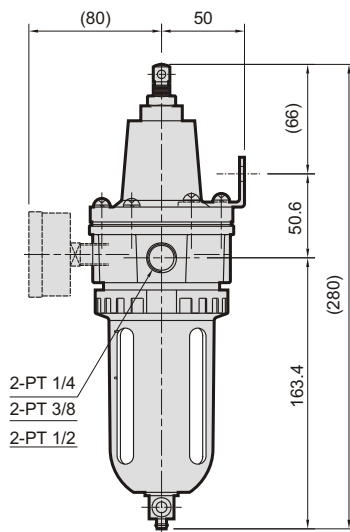
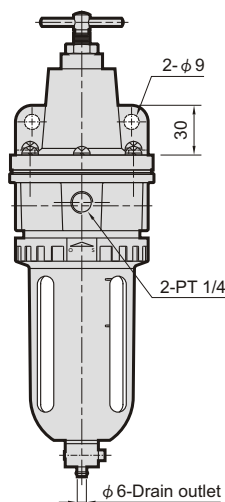
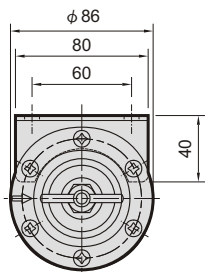
MODEL

BORE SIZE
8A: PT 1/4
10A: PT 3/8
15A: PT 1/2

FILTER ELEMENT
Blank: 40 μm
5u: 5 μm

PORT THREAD
Blank: PT thread
BSP: BSP thread
NPT: NPT thread

D: auto drain valve
(FMRF 300)



Flow feature:

