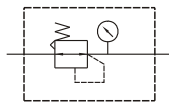


MAR400 series

AIR UNITS (R. UNIT)



Symbol:



Specification:

Model	MAR400		
Bore No.	8A	10A	15A
Port size	PT 1/4	PT 3/8	PT 1/2
Medium	Air		
Operating pressure range	0~9.9 kgf/cm ² (0~0.99 MPa)		
Test pressure	15 kgf/cm ² (1.5 MPa)		
Effective orifice	24mm ²	35mm ²	40mm ²
Regulated pressure range	0.5~8.5 kgf/cm ² (0.05~0.85 MPa)		
Ambient temperature	-5~+60°C (No freezing)		
Attachment	Pressure gauge (PG-50), bracket		
Weight	1000 g		

Order example:

MAR400 — 8A — BSP

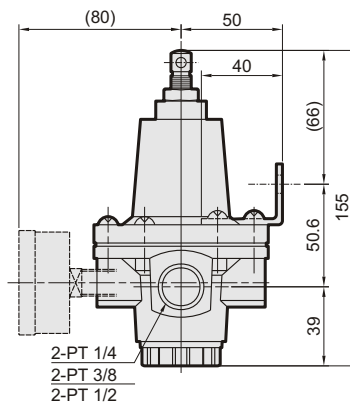
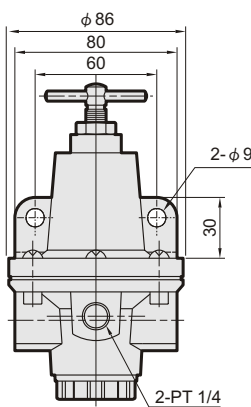
MODEL

BORE SIZE

8A: PT 1/4
10A: PT 3/8
15A: PT 1/2

PORT THREAD

Blank: PT thread
BSP: BSP thread
NPT: NPT thread



Flow feature:

